



# TBS30EA/TBS60EA

Electric Tractor 3.0 / 6.0t

---

# TBS30EA / TBS60EA

Electric Tractor 3.0t / 6.0t

Distinguishing mark					
1.1	Model designation			TBS30EA	TBS60EA
1.2	Drive unit			Electric	Electric
1.3	Type of operation			Seated	Rider seated
1.4	Load capacity	Q	kg	3000	6000
1.5	Rated drawbar pull	F	N	750	1200
1.6	Wheelbase	y	mm	930	1110
Weight					
2.1	Service weight (include battery)		kg	970	1150
2.2	Axle loading, unladen front/rear		kg	510/460	500/650
Type, Chassis					
3.1	Tyre type			Solid rubber	Pneumatic
3.2	Tyre size, front			4.00-8	4.00-8
3.3	Tyre size, rear			4.00-8	4.00-8
3.4	Wheels, number front/rear (x=drive wheels)			1/2x	1/2x
3.5	Track rear	b <sub>11</sub>	mm	870	869
Dimensions					
4.1	Height of truck (steering wheel)	h <sub>6</sub>	mm	1300	1320
4.2	Seat height	h <sub>7</sub>	mm	910	947
4.3	Tow coupling height	h <sub>10/a/b</sub>	mm	287/357/427	361 (221/291/431)
4.4	Loading height, unladen	h <sub>11</sub> (mm)	mm	/	591
4.5	Length of loading surface	l <sub>3</sub> (mm)	mm	/	450
4.6	Rear overhang	l <sub>5</sub>	mm	365	471
4.7	Loading platform, width	b <sub>9</sub>	mm	/	700
4.8	Overall length	l <sub>1</sub>	mm	1730	1966
4.9	Overall width	b <sub>7</sub> /b <sub>2</sub>	mm	985	990/1010
4.10	Ground clearance, center of wheelbase	m <sub>2</sub>	mm	150	150
4.11	Outer turning radius	Wa	mm	1575	1800
4.12	Inner turning radius	b <sub>13</sub>	mm	1068	1182
Performance data					
5.1	Travel speed, laden/unladen		km/h	7/15	7/17
5.2	Maximum drawbar pull, laden/unladen S <sub>2</sub> 5min.		N	3000	4500
5.3	Maximum gradeability, laden/unladen S <sub>2</sub> 5min.		%	5/20	5/20
5.4	Service brake type			Hydraulic / Mechanical	Hydraulic / Mechanical
Drive					
6.1	Drive motor rating S2 60min		kW	4	6
6.2	Battery voltage / rated capacity (5h)		V/Ah	48/240	48/275
6.3	Battery weight		kg	431	506
Others					
7.1	Driver control			AC / zapi	AC / zapi
7.2	Sound level at operator's ear		dB(A)	70	70
7.3	Tow coupling, type DIN 15170			Bolt type	Bolt type

Note: The truck maximum operating hours per charge is dependent on the nature of tasks assigned. For more information on the truck functionality, features, and other customization options, please contact your nearest dealership for assistance. Improvement made to truck may result in changes to the truck parameters.



# UNPARALLED resilience to endure UNBEATABLE toughness

Robust and durable, the TBS-EA series is a **sit-down drive version** specifically tailored to exceed expectations that compose of **longer drive endurance** and **remarkable vigor qualities** to haul cargo goods that can last for at least a single work shift per charge.

Available in either **3.0T or 6.0T chassis**, the TBS-EA series allows the operator to shuttle through both indoor and outdoor environment easily without needing to fear the ground conditions as the truck is built with a **higher ground clearance** to overcome common gradient obstacles.

Capable of travelling up to a **maximum towing speed of 9.5km/hr**, the TBS-EA is an optimal choice to satisfy **TOUGH** requirements while accomplishing **SAFE** operation round the clock.



## ✓ Quick Battery Change

- Side battery<sup>2</sup> loading design allows the battery to be interchanged easily

## ✓ High Performance AC drive system

- Smooth travel speed control up to 17km/hr<sup>1</sup> at unladen condition
- Competitive and powerful rated AC drive motor performance

## ✓ Smooth Controls

- Standard Battery discharge indicator (\*Indicates operating hours, battery level and error code)
- Electric power steering with short control handle offers effortless steering to relieve the operator from fatigue

## ✓ Improved Reliability & Maintenance

- Quick release tow pins facilitate unlocking & locking of the tow hook easily
- Heavy duty hood offers protection for the motors against possible impacts, and minimal water ingress resulted from light showers
- Robust & maintenance free AC traction motor allows smooth travel transition from point to point
- IP54 ZAPI AC controller offers better protection against water & dust ingress
- High-quality AMP connectors and durable electrical harnesses

## ✓ Safe for operating

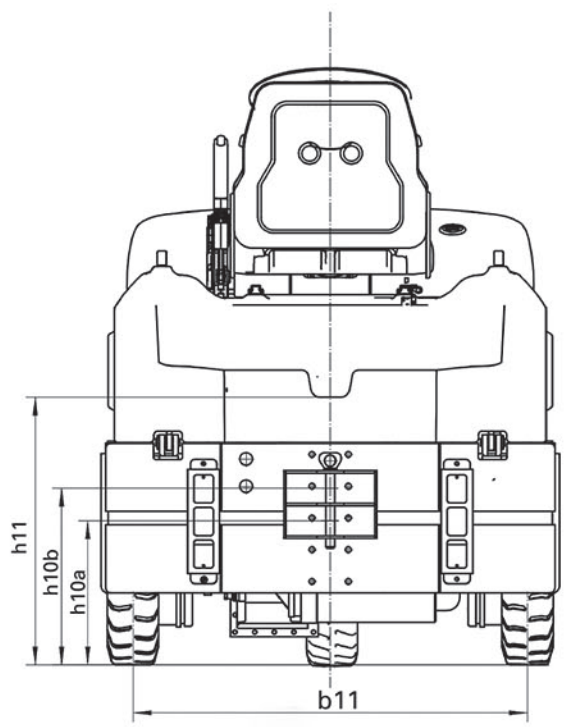
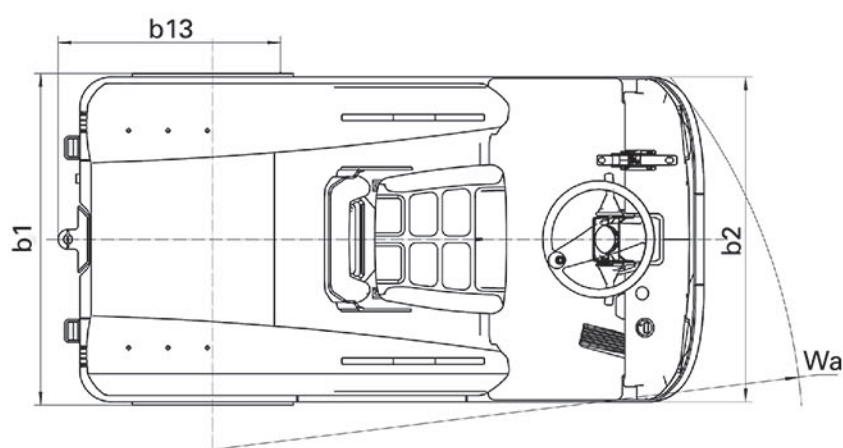
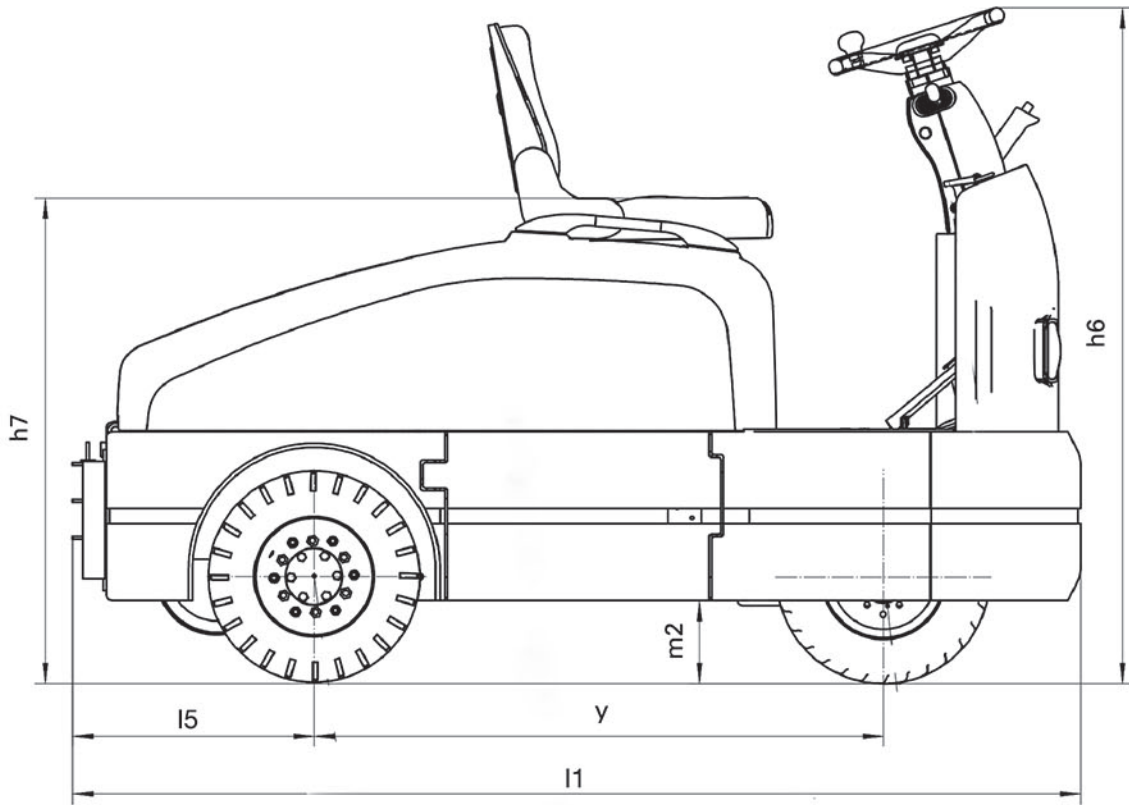
- Safety seat switch ensures operator to remain seated before starting the truck
- Electromagnetic braking system keeps the truck steady on-ramp movement and prevents it from rolling backward
- Mechanical hand brakes bring the truck to a full stopping motion with brakes constantly engaged
- Standard combination lights ensure sufficient forward illumination and alert nearby pedestrians to keep clear
- Standard walk beside buttons allows the operator to perform fine adjustment to align the rear tow eye position
- Optional partial enclosed cabin keeps the operator out of the light rain condition



<sup>1</sup>Only applicable for TBS60EA

<sup>2</sup>A standard feature for TBS30EA and optional for TBS60EA





2020 by MLAP, All Rights Reserved.  
 All Trademarks are the property of their respective owners.  
 Printed in Singapore.  
 FML00011 (09/20)