

DAILY CHECKLIST

DRIVER'S NAME: _____

SIGNED: _____

DATE: _____

HOUR METER READING: _____

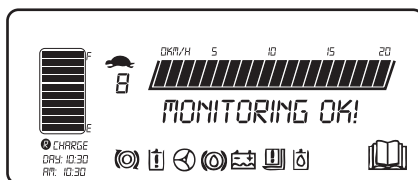
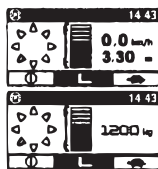
	NO.	CHECK POINTS	CONTENTS	CHECK
Safety monitor	1	Function	When key switch is turned on, "MONITORING OK" is displayed	<input type="checkbox"/>
Lamp and Horn	2	Head lamps, Optional lamps, Horn	Turn on and off, sound	<input type="checkbox"/> <input type="checkbox"/> <input type="checkbox"/>
Braking system	3	Brake Pedal	Stroke of foot brake pedal and braking force	<input type="checkbox"/>
Steering system	4	Play of steering wheel	Check it is adequately tightened Operating condition	<input type="checkbox"/>
		Power steering operation	Operating of all parts	<input type="checkbox"/>
Hydraulic system and Mast	5	Function	Function, any cracks, lubrication	<input type="checkbox"/>
	6	Hydraulic oil	Appropriate quantity	<input type="checkbox"/>
	7	Lift chains	Equal tension of both right & left chains	<input type="checkbox"/>
	8	Oil piping	Oil leakage	<input type="checkbox"/>
Wheel	9	Tyres	Abnormal wearing and / damage	<input type="checkbox"/>
Battery	10	Charging	Check battery capacity indicator Check the battery fluid level in each battery cell. Top up with battery water if needed. The fluid surface should be about 15mm above the plates Plug is securely connected	<input type="checkbox"/> <input type="checkbox"/> <input type="checkbox"/>
Others	11	Overhead guard, Load backrest	Ensure fitting bolts and nuts are securely tightened	<input type="checkbox"/> <input type="checkbox"/>
	12	Seat Belt	Damage * <i>Only for sit down reach truck.</i>	<input type="checkbox"/>
	13	Laser Pointer	Axis of laser beam (optional feature)	<input type="checkbox"/>
	14	Other than above	Any abnormality	<input type="checkbox"/>
				INITIALS: _____

INSPECTION PROCEDURE

①

Check functions of safety monitor

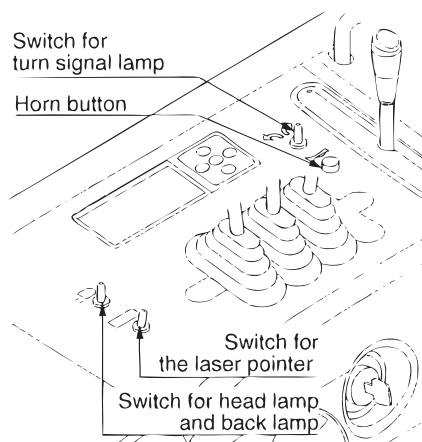
[MONITORING OK] is displayed for a few seconds after turning the key switch on at normal condition.



②

Check head lamps, back lamps (optional), turn signal lamps (optional) and horn

Check operation of lamps.
Check sound of horn.



③

Check foot brake pedal

Check performance of brake and make sure the stroke of the foot brake pedal.

Proper braking distance without a load is

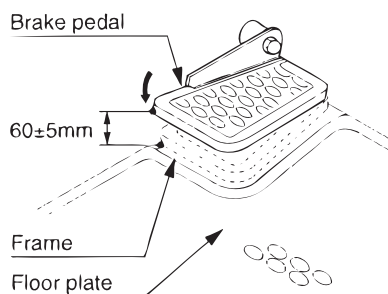
RBS9-13CA: within 1.2m

RSB14-18CA, 10WCA, 13WCA: within 1.5m

RBS20-25CA: within 1.8m

RBS30CA: within 2.0m

Adjust if the braking distance is more than above specs.



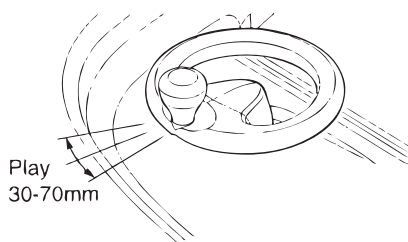
④

Check play of steering wheel and function of power steering

The proper play of the steering wheel;

Small diameter (standard): 30 through 70mm

Large diameter (optional): 50 through 100mm

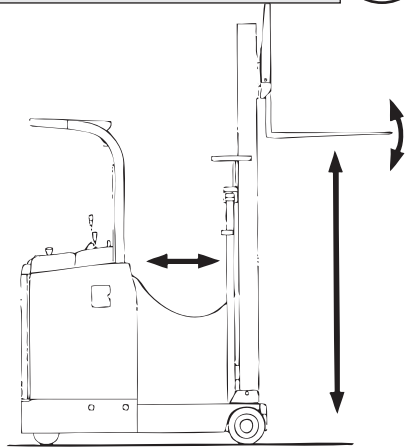


(Large diameter (Option) : 50 - 100mm)

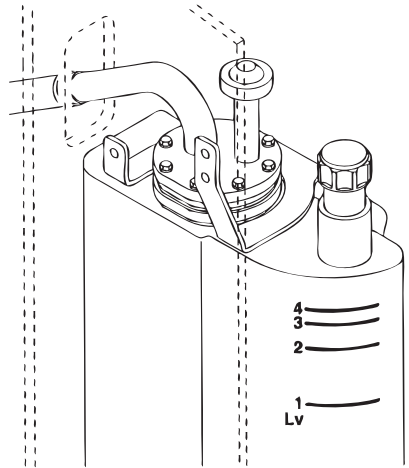
INSPECTION PRIOR TO OPERATION

2

- 5 **Check the hydraulic functions**
Check if lifting, tilting and reaching operations are smooth.



- 6 **Check oil piping**
Check for any oil leakage from the lift cylinders, tilt cylinders, reach cylinder and oil piping.



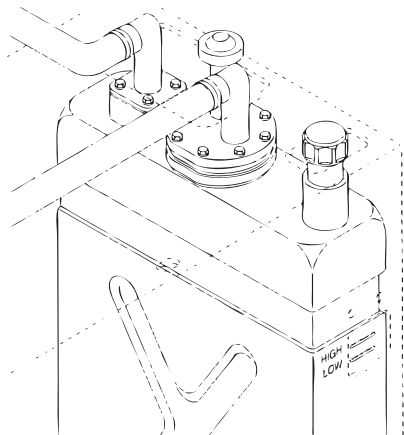
RBS9-13CA

- 7 **Check hydraulic oil**
Check oil level by using the level gauge when the forks are lowered on the floor and mast is retracted.

For RBS9CA to 13CA, the proper oil level is as follows

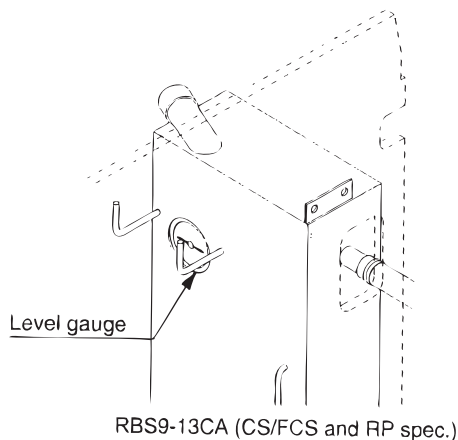
Model	Oil level	Actual using quantity of oil
Simplex (2SP) mast (less than 4 metres)	2	8.2ℓ
Triplex (3FP) mast (5.5 to 6.5 metres)	3	9.2ℓ
Simplex (2SP) mast (4.3 to 5.5 metres), Triplex (3FP) mast (less than 5.3 metres), Duplex (2FP) mast	4	9.8ℓ

For RBS14CA to 18CA and RBS10/13WCA, the proper oil level is between the HIGH and LOW lines of the oil level gauge.

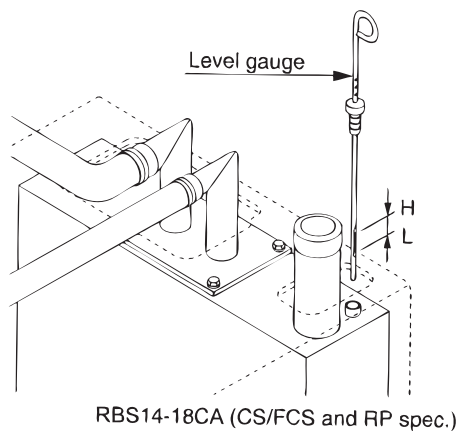


RBS14-18CA, 10/13WCA

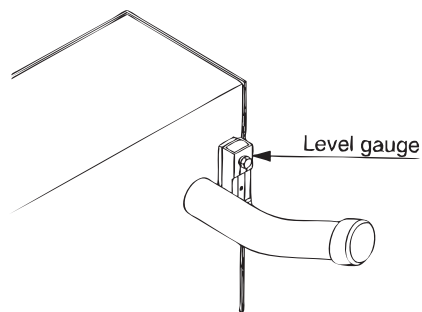
For RBS9CA to 13CA (CS/FCS and RP spec) the proper oil level is the centre of the level gauge.



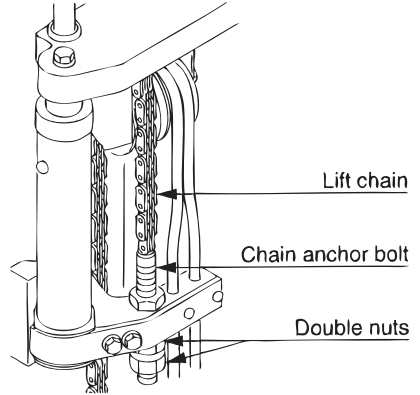
For RBS14CA to 18CA (CS/FCS and RP spec) the proper oil level is between the "L" and "H" of the oil level gauge.



For RBS20CA to 30CA, the proper oil level is the centre of the oil level gauge.



- 8 **Check lift chains**
Raise the forks 200-300mm above the floor and check the lift chains for equal tension. The mast carriage should be level. If the carriage leans to the right or left, adjust the chain anchor bolts.



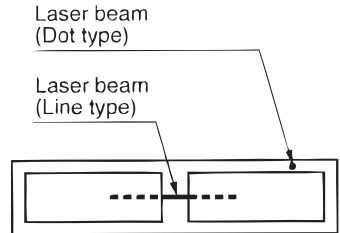
After proper adjustment, tighten up the lock nuts securely.

- 9 **Check tyres**
Check if each tyre (drive, caster, load) is damaged and/or worn

- 10 **Check charging**
Measure the specific gravity of battery. When it shows 1.260-1.280 at 20°C conversion, the battery is fully charged.

- 11 **Check overhead guard and load backrest**
Check if all fitting bolts and nuts are correctly secured and torqued.

- 12 **Check laser pointer (optional)**
Check the axis of the laser beam.



- 13 **Other**
Check for any abnormalities.



Turn the key switch off and disconnect the battery when inspecting the forklift truck with open doors or covers, or when checking electric components except when testing the function.